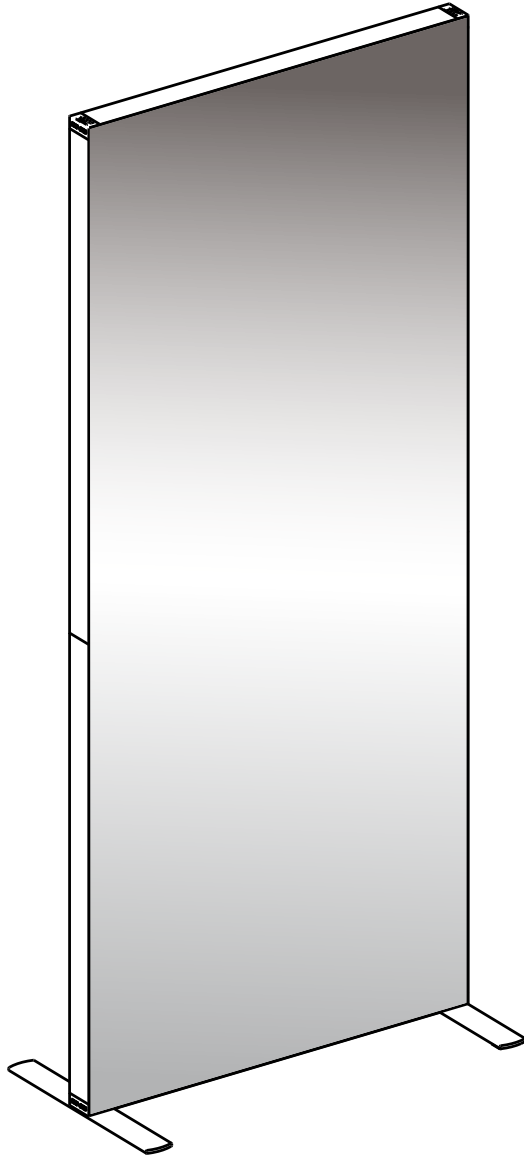
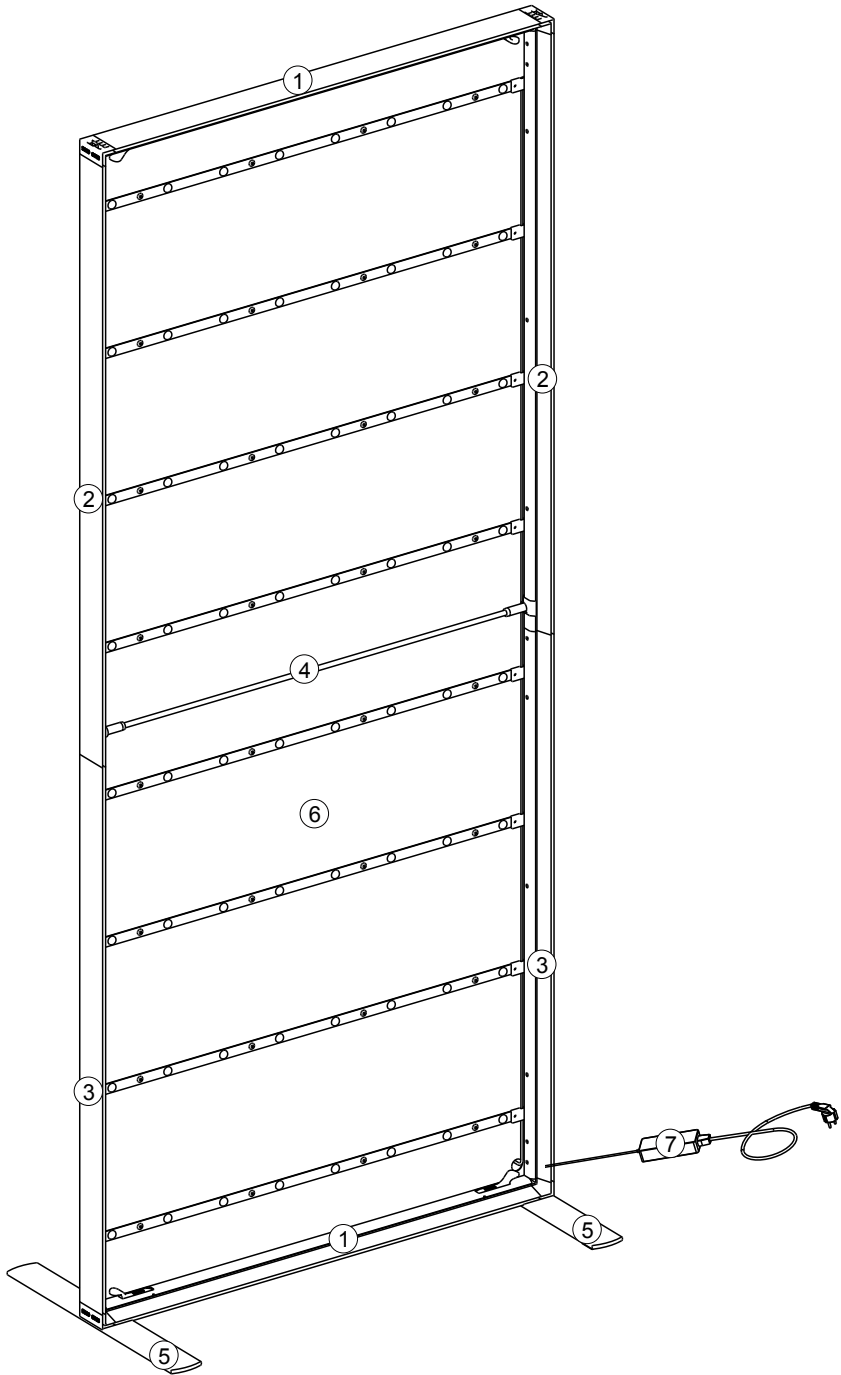


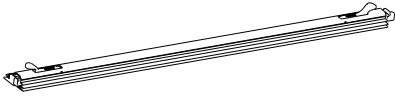
Setup Manual



SEGO60 Backlit

sego.com

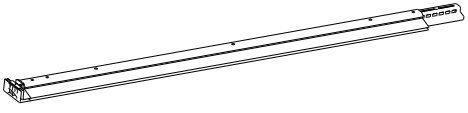




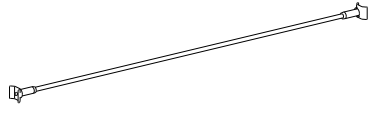
① Horizontal Profile x2



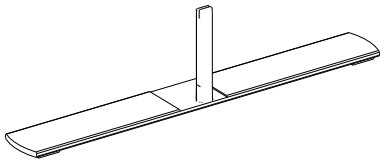
② Vertical Profile Top x2



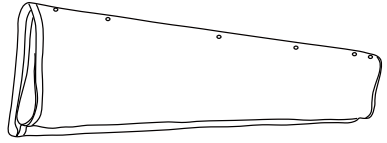
③ Vertical Profile Bottom x2



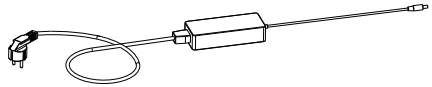
④ Mid Pole x1



⑤ Foot x2

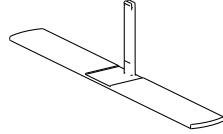
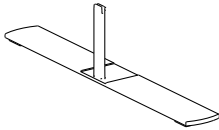


⑥ LED Curtain x1

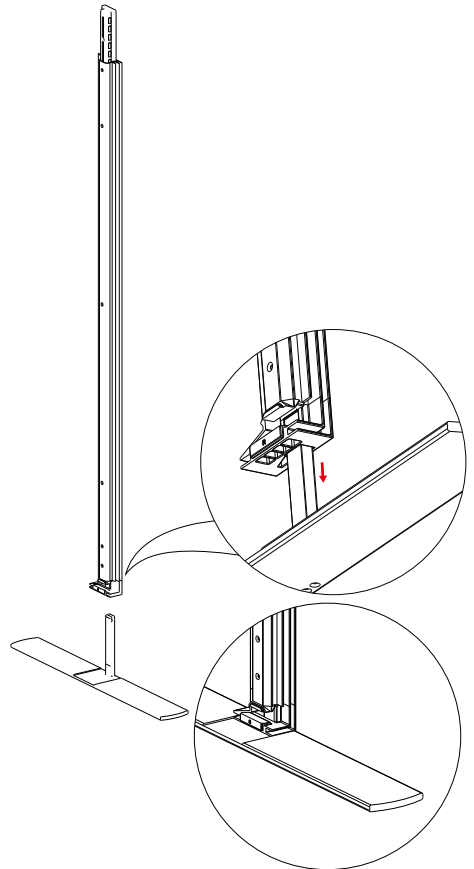
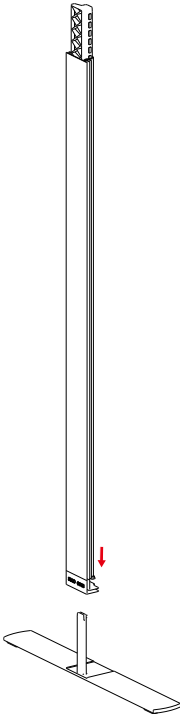


⑦ Transformer x1

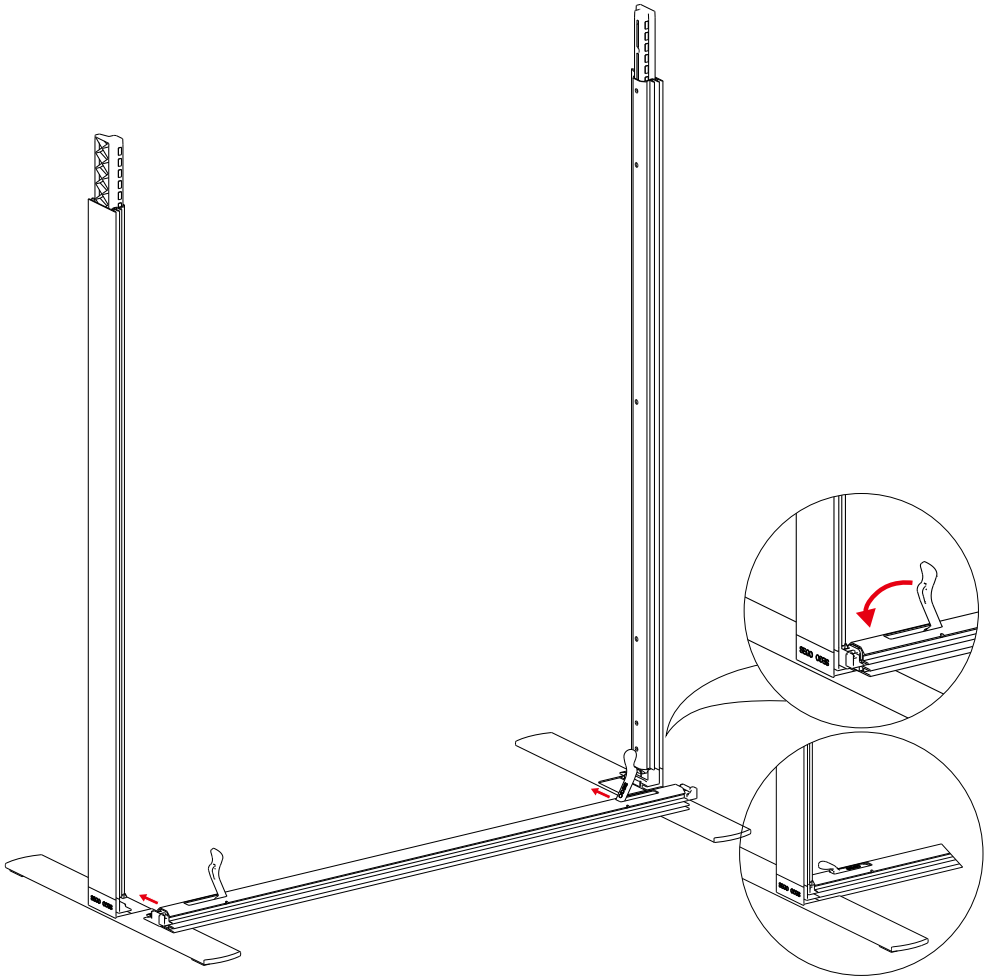
①



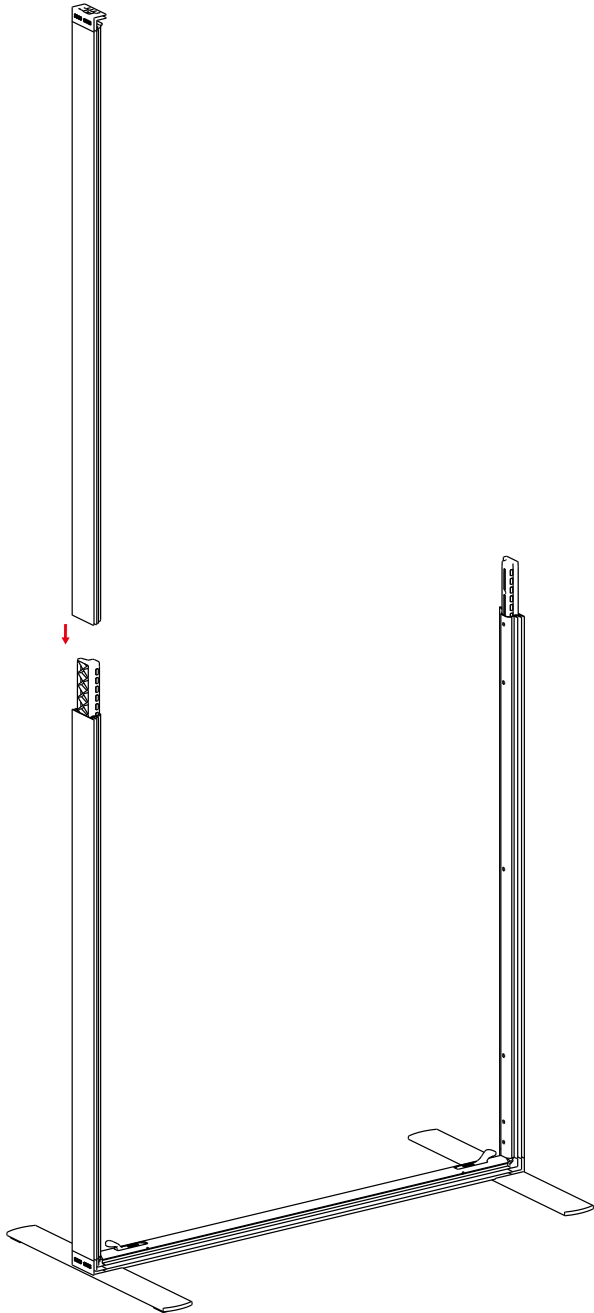
②



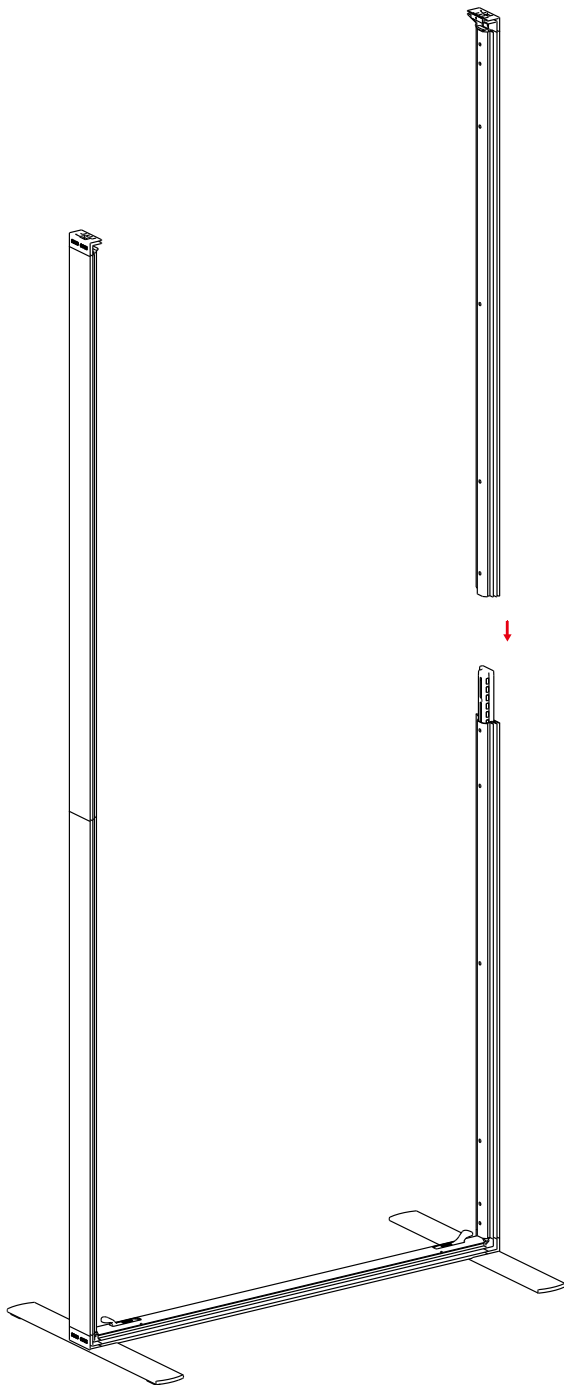
③



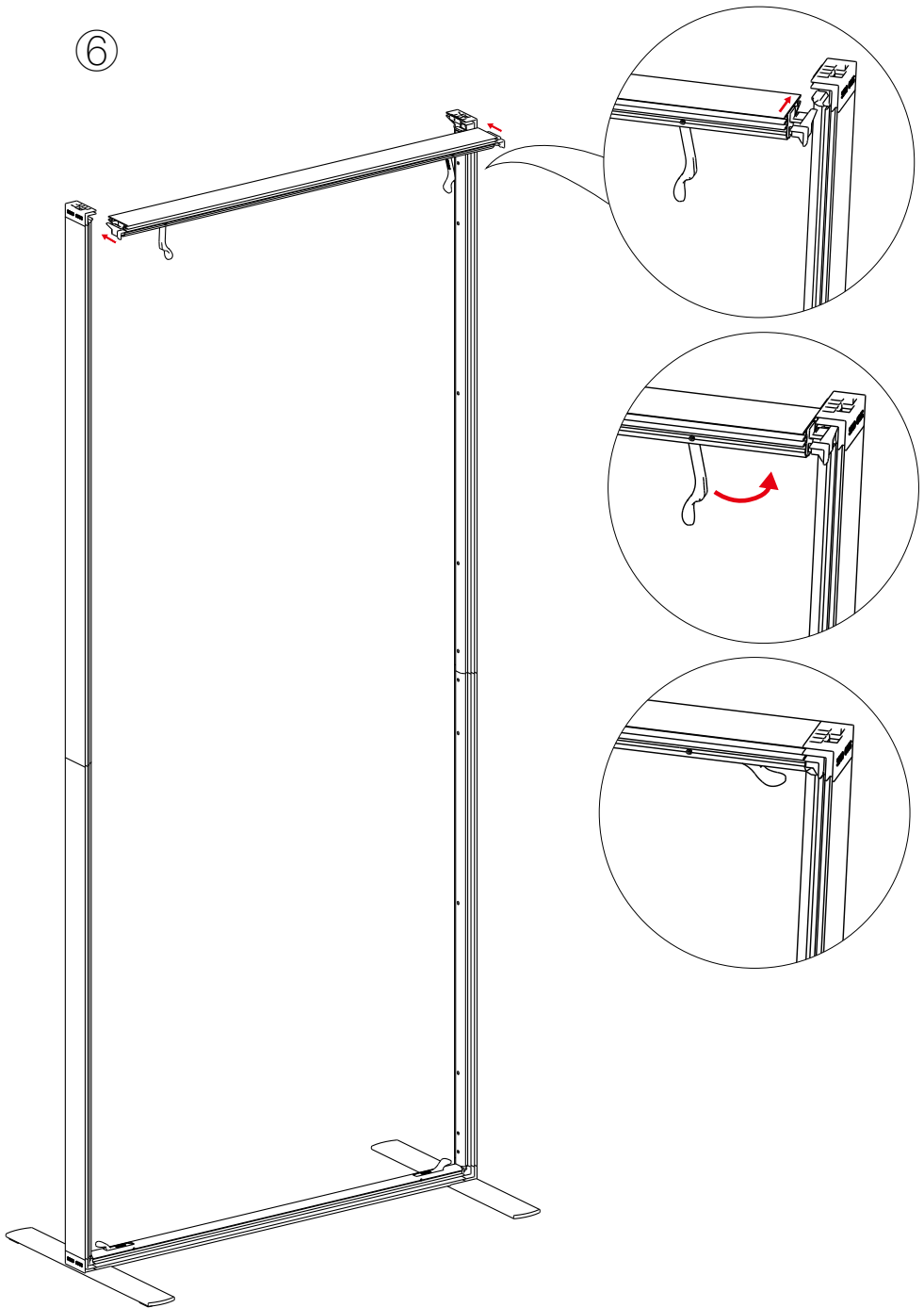
④



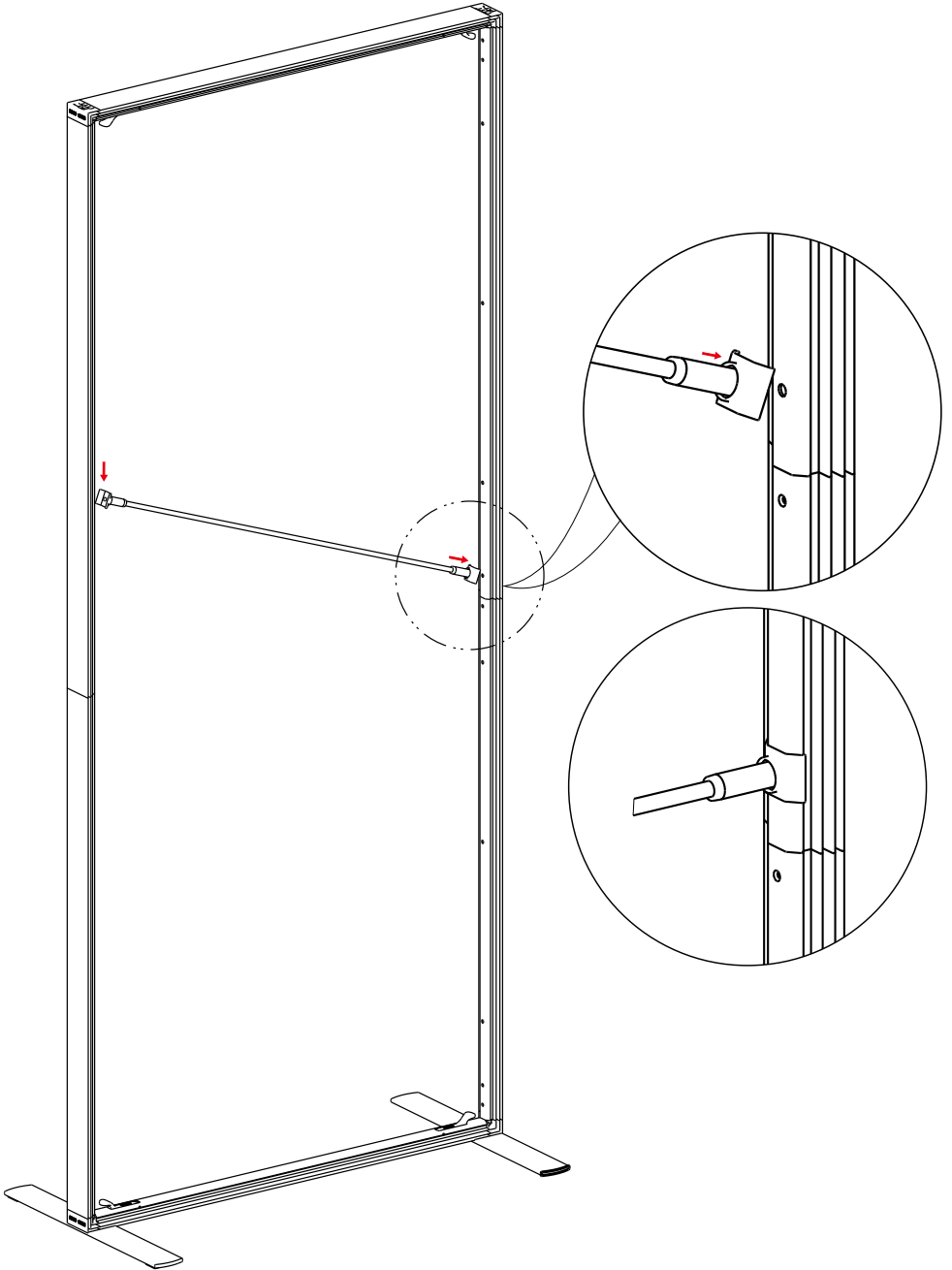
⑤



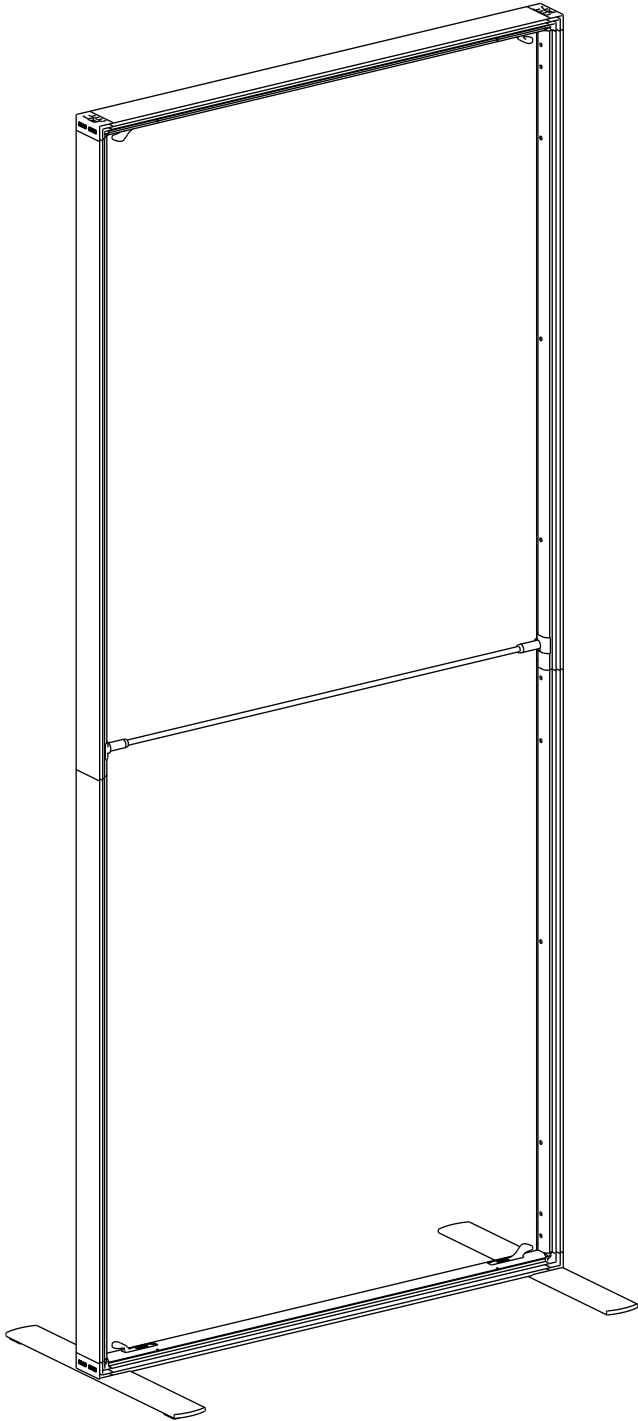
6



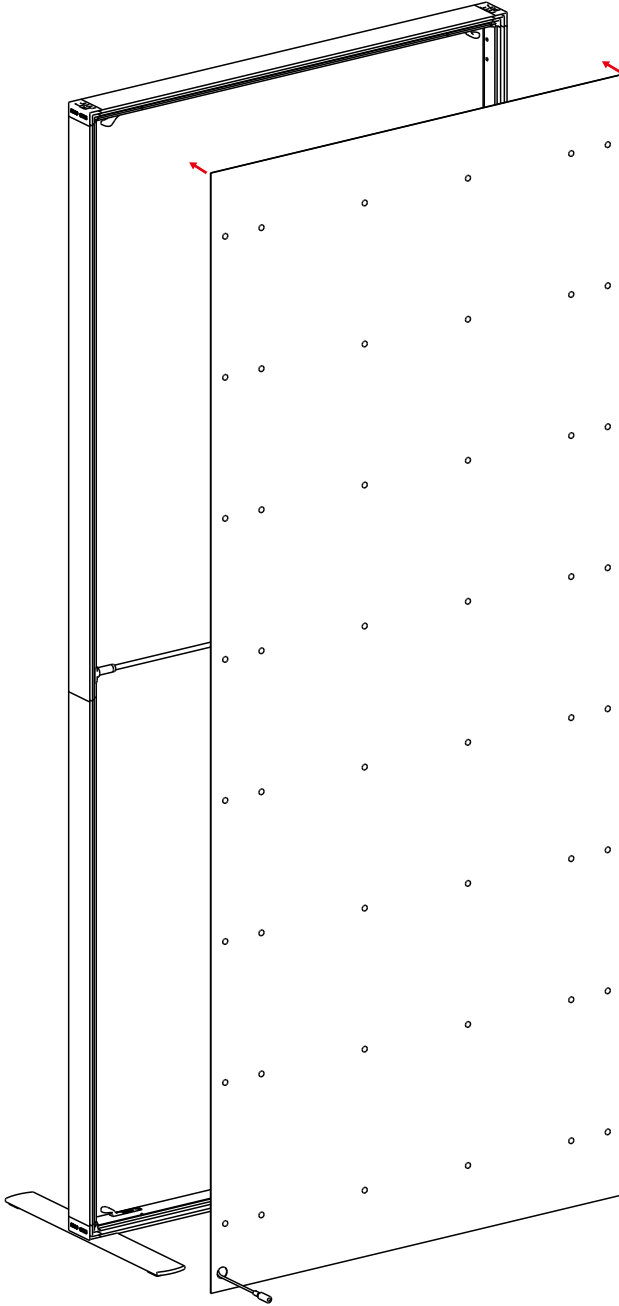
7



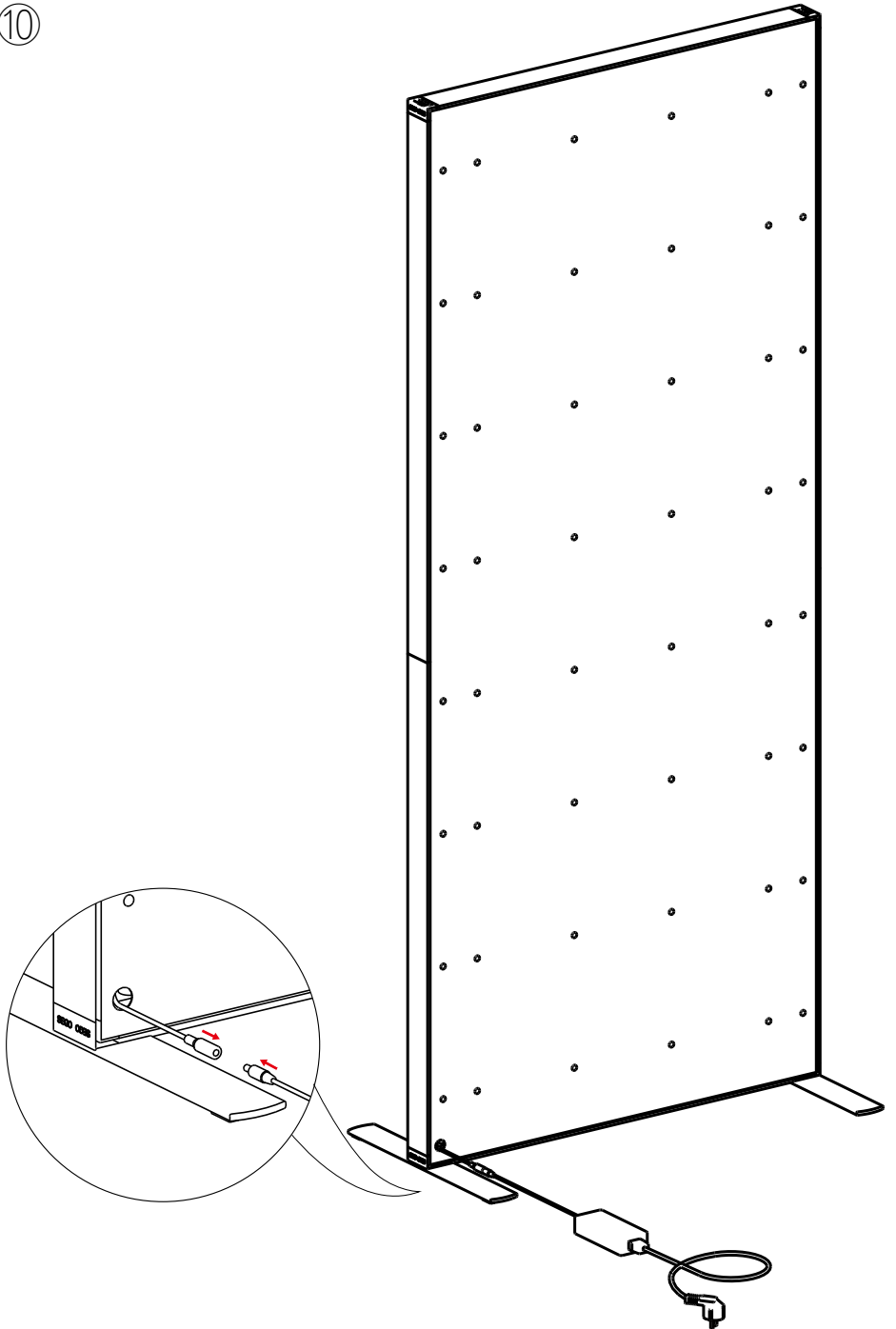
8



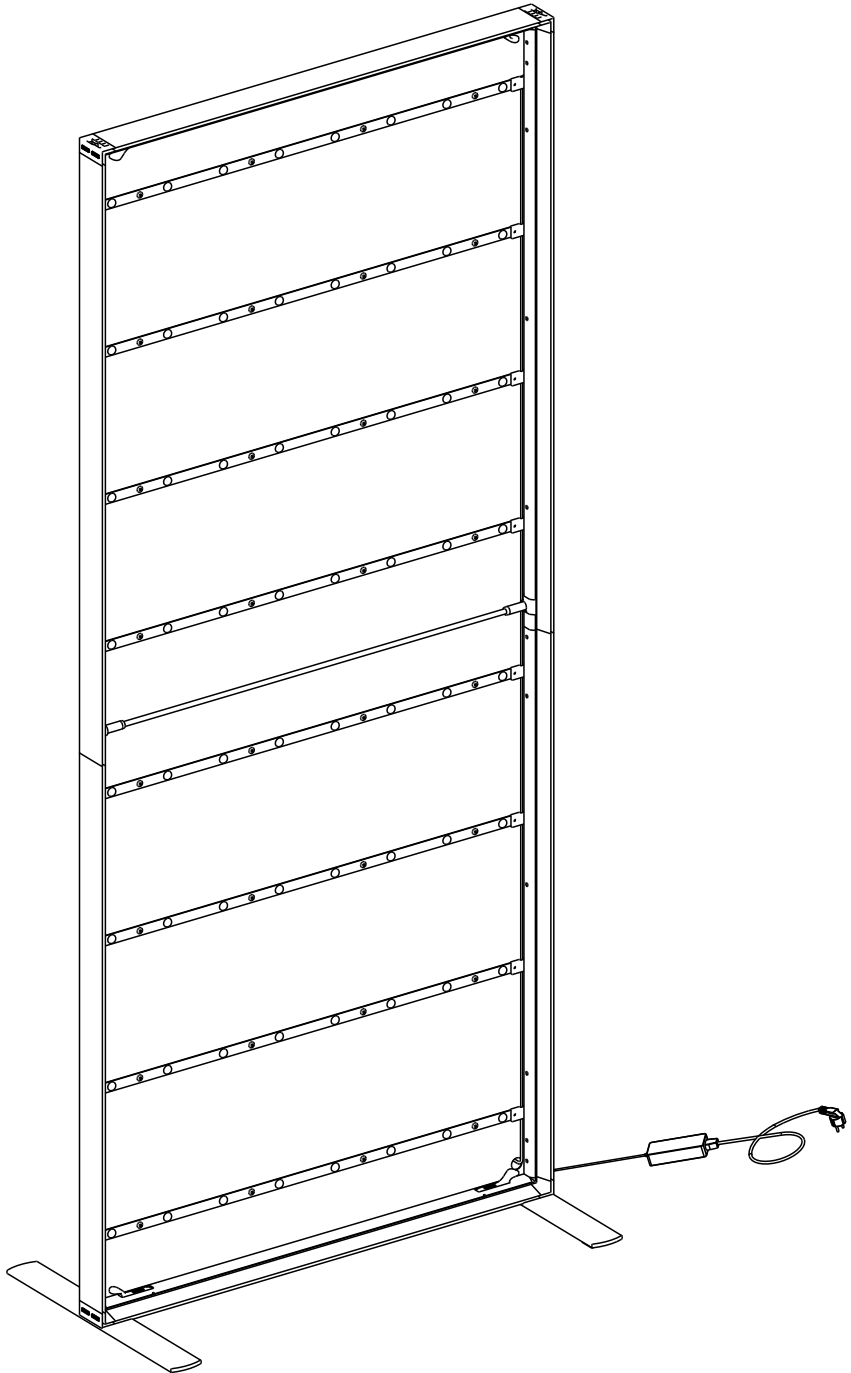
9



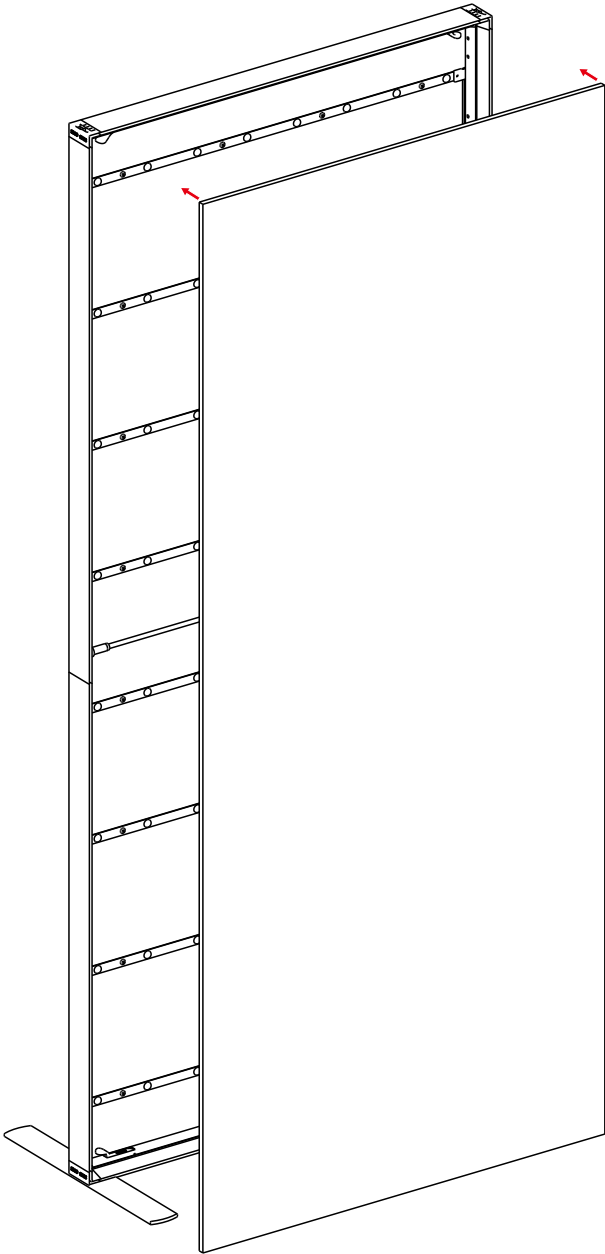
10



11



12



SEGO

SEGO DISPLAY Co.Ltd

sales@sego.com

T: +86 571 86303777

F: +86 571 87631222

www.sego.com